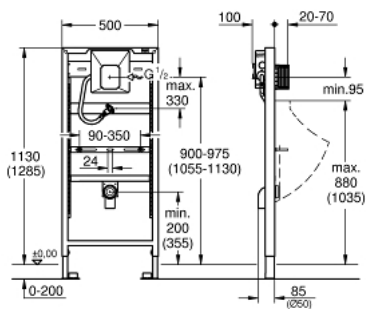


## 38 786 001 RAPID SL ELEMENT FOR URINAL WITH GROHE RAPIDO U



### PRODUCT DESCRIPTION

- 1.13 and 1.30 m installation height
- For manual actuation or Tectron infra-red electronic 6 V or 230 V
- For on-the-wall installations or studded walls
- Powder coated steel frame, self-supporting
- For dry-cladding, completely pre-assembled
- Height adjustable fitting connections
- quick adjustment, lockable
- Fixing material
- TÜV approved
- HT-outlet bend Ø 50 mm
- Fixing bolts M8, with fixing device for ceramic
- Inlet connection and inlet connecting set
- Water group with stop valve
- Flow pressure min 0.5 bar
- Operating pressure max 10 bar
- Flush aid
- Functional unit checked ex factory
- Water supply connections ½" outer thread
- Connecting box for mains supply 230 V
- Installation box with gasket
- Shortable inspection shaft includes protection during construction phase for flush plates with dimensions (4 9/16" x 5 5/8")
- For on-the-wall installation please order wall brackets 38 558 00M (sold separately)



## 38 786 001 **RAPID SL ELEMENT FOR URINAL WITH GROHE RAPIDO U**

### **SPARE PARTS**, March 2011 – now

- 1: Elbow 2" (Spare part-nr. 42943000)
- 1.1: Holder (Spare part-nr. 42236000)
- 2: Mounting screw complete (Spare part-nr. 43078000)
- 3: Fastening set (Spare part-nr. 4307500M)
- 4: Transformer connecting box (Spare part-nr. 42279000)
- 5: Inspection shaft (Spare part-nr. 66838000)
- 6: Supply stop (Spare part-nr. 43392000)
- 7: **Wall brackets** (Spare part-nr. 3855800M)\*

\* Optional accessories

