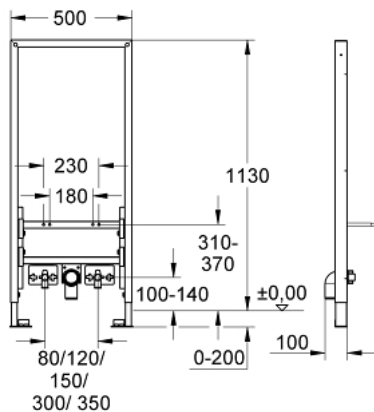


## 38 597 001 RAPID SL ELEMENT FOR BIDET, 1.13 M INSTALLATION HEIGHT

### PRODUCT DESCRIPTION

- Powder coated steel frame, self-supporting
- For on-the-wall installations or studded walls
- Pre-assembled
- Height adjustable fitting connections
- Fixing material
- TÜV approved
- Bidet fixing bolts
- Seal Ø 32 mm
- HT-outlet bend Ø 50 mm
- 2 x 1/2" fitting connections
- Fixing material for bidet
- For on-the-wall installation please order wall brackets 38 558 00M (sold separately)



## 38 597 001 **RAPID SL ELEMENT FOR BIDET, 1.13 M INSTALLATION HEIGHT**

**SPARE PARTS**, August 2008 – now

1: Threaded screw (Spare part-nr. 4276400M)

2: Elbow 2" (Spare part-nr. 42943000)

2.1: Holder (Spare part-nr. 42236000)

3: Holder (Spare part-nr. 42236000)

4: **Wall brackets** (Spare part-nr. 3855800M)\*

\* Optional accessories

