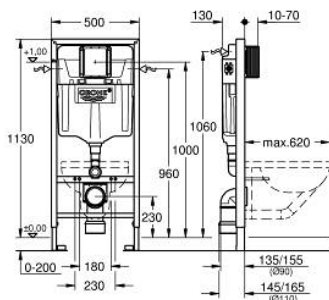


## 38 528 001 RAPID SL ELEMENT FOR WC, 1.13 M INSTALLATION HEIGHT

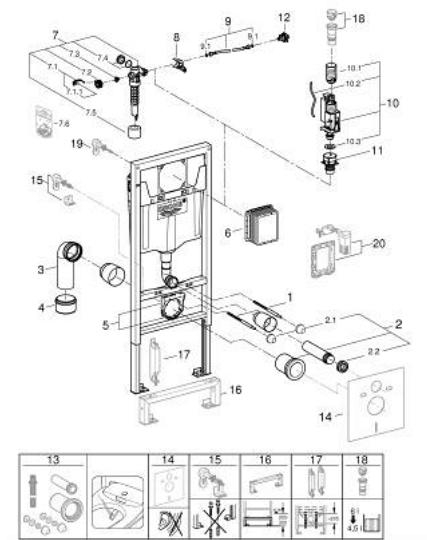


### PRODUCT DESCRIPTION

- With flushing cistern GD 2, 6 - 9 l
- For on-the-wall installations or studded walls
- Powder coated steel frame, self-supporting
- For dry-cladding, completely pre-assembled
- With fixed connections
- quick adjustment, lockable
- Fixing material
- TÜV approved
- 2 WC fixing bolts
- Fixing device for ceramic
- WC ceramics with small bearing area (less than 205 mm) require additional accessory 38 779 000
- Distance of fixing bolts 180/230 mm
- Outlet bend Ø 90 mm
- Depth adjustable
- Reducer Ø 90/110 mm
- Inlet and outlet connecting set
- Flushing cistern GD 2, 6 - 9 l, containing following features:
  - Adjustment ex factory 6 l and 3 l
  - Pneumatic discharge valve offering 3 modes of operation: dual flush or start/stop or single flush
  - Water supply from left/right or back
  - Low noise (group I acc. to German Noise Specification)
  - Insulated against condensation
  - ½" water supply connection including integrated angle valve and push fit flexible hose union
- No tools required for the installation of the inspection shaft including protection during construction phase
- For vertical or horizontal use
- For on-the-wall installation please order wall brackets 38 558 00M (sold separately)
- For mounting of small flush plates please order revision shaft 40 911 000 (sold separately)



## 38 528 001 RAPID SL ELEMENT FOR WC, 1.13 M INSTALLATION HEIGHT



### SPARE PARTS, September 2022 – now

- 1: Threaded screw (Spare part-nr. 4276400M)
- 2: WC inlet and outlet connecting set (Spare part-nr. 37311K00)
- 2.1: Bath faucet fastener (Spare part-nr. 43511SH0)
- 2.2: Connector (Spare part-nr. 37119000)
- 3: PP-outlet elbow (DN 90) (Spare part-nr. 42327000)
- 4: 4" Outlet Adaptor F Rapid SL (Spare part-nr. 42242000)
- 5: Support for outlet (Spare part-nr. 42243000)
- 6: Inspection shaft (Spare part-nr. 66791000)
- 7: Filling valve (Spare part-nr. 37095000)
- 7.1: Lever (Spare part-nr. 43734000)
- 7.1.1: Seal (Spare part-nr. 4377000M)
- 7.2: Valve head (Spare part-nr. 43536000)
- 7.3: Membrane (Spare part-nr. 4375800M)
- 7.4: Screw cap (Spare part-nr. 43735000)
- 7.5: Valve float (5 pcs) (Spare part-nr. 4379100M)
- 7.6: Set of seals (Spare part-nr. 43722000)\*
- 8: Support unit (Spare part-nr. 42246000)
- 9: Connection tube (Spare part-nr. 42233000)
- 9.1: O-ring (Spare part-nr. 0319100M)
- 10: Dual Flush discharge valve AV1 (Spare part-nr. 42320000)
- 10.1: extension for Overflow pipe (Spare part-nr. 42313000)
- 10.2: pneumatic hose (Spare part-nr. 42319000)
- 10.3: Seal (Spare part-nr. 42310000)
- 11: Valve seat for GD2 (Spare part-nr. 42315000)
- 12: Water connection (Spare part-nr. 48561000)
- 13: Retrofit kit for shower toilets Sensia Arena and Sensia Pro (Spare part-nr. 40899000)
- 14: Set for noise protection (Spare part-nr. 37131000)\*
- 15: Xtra wall brackets, flexible placing (Spare part-nr. 38733000)\*
- 16: Extension for Volume Control (Spare part-nr. 38629000)\*
- 17: Accessories (Spare part-nr. 38779000)\*
- 18: 4.5 l adapter for GD2 (Spare part-nr. 42333000)\*
- 19: <strong>Wall brackets</strong> (Spare part-nr. 3855800M)\*
- 20: Rapid SL connection set for shower WC (Spare part-nr. 38925000)\*
- 21: Adapter (Spare part-nr. 38796000)\*

\* Optional accessories