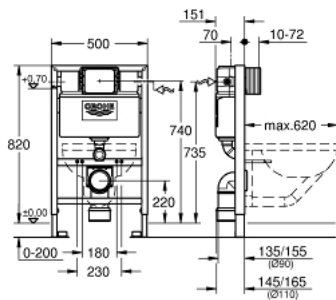


## 38 526 000 RAPID SL ELEMENT FOR WC, 0.82 M INSTALLATION HEIGHT

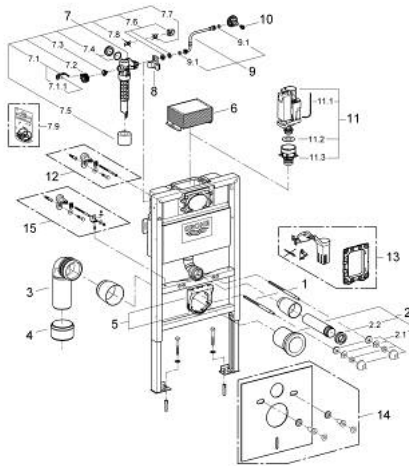


### PRODUCT DESCRIPTION

- With flushing cistern 6 - 9 l
- For on-the-wall installations or studded walls
- Powder coated steel frame, self-supporting
- For dry-cladding, completely pre-assembled
- With fixed connections
- quick adjustment, lockable
- Fixing material
- TÜV approved
- 2 WC fixing bolts
- Fixing device for ceramic
- Distance of fixing bolts 180/230 mm
- PP outlet bend Ø 90 mm
- Depth adjustable
- Reducer Ø 90/110 mm
- Inlet and outlet connecting set
- Flushing cistern 6 - 9 l containing the following features:
  - Pneumatic discharge valve offering 3 modes of operation: dual flush or start/stop or single flush
  - Front or top actuation
  - Water supply from left/right or back
  - Low noise (group I acc. to German Noise Specification)
  - Insulated against condensation
  - ½" water supply connection including integrated angle valve and push fit flexible hose union
  - inspection shaft with protecting block
- For on-the-wall installation please order wall brackets 38 558 00M (sold separately)
- for mounting of small flush plates please order revision shaft 40 950 000 (sold separately)



## 38 526 000 RAPID SL ELEMENT FOR WC, 0.82 M INSTALLATION HEIGHT



### SPARE PARTS, December 2012 – now

- 1: Threaded screw (Spare part-nr. 4276400M)
- 2: WC inlet and outlet connecting set (Spare part-nr. 37311K00)
- 2.1: Bath faucet fastener (Spare part-nr. 43511SH0)
- 2.2: Connector (Spare part-nr. 37119000)
- 3: PP-outlet elbow (DN 90) (Spare part-nr. 42327000)
- 4: 4" Outlet Adaptor F Rapid SL (Spare part-nr. 42242000)
- 5: Support for outlet (Spare part-nr. 42243000)
- 6: Inspection shaft for flushing cistern (Spare part-nr. 42326000)
- 7: Filling valve (Spare part-nr. 37095000)
- 7.1: Lever (Spare part-nr. 43734000)
- 7.1.1: Seal (Spare part-nr. 4377000M)
- 7.2: Valve head (Spare part-nr. 43536000)
- 7.3: Membrane (Spare part-nr. 4375800M)
- 7.4: Screw cap (Spare part-nr. 43735000)
- 7.5: Valve float (5 pcs) (Spare part-nr. 4379100M)
- 7.6: Set of seals (Spare part-nr. 43722000)\*
- 8: Support unit (Spare part-nr. 42195000)
- 9: Overflow Sleeve (Spare part-nr. 43325000)
- 9.1: O-ring (Spare part-nr. 0319100M)
- 10: Cartridge (Spare part-nr. 42385000)
- 11: AV1 complete (Spare part-nr. 42314000)
- 11.1: pneumatic hose (Spare part-nr. 42319000)
- 11.2: Seal (Spare part-nr. 42310000)
- 11.3: Valve seat for GD2 (Spare part-nr. 42315000)
- 12: <strong>Wall brackets</strong> (Spare part-nr. 3855800M)\*
- 13: Adapter (Spare part-nr. 38796000)\*
- 14: Set for noise protection (Spare part-nr. 37131000)\*
- 15: Rapid SL mounting bracket (Spare part-nr. 38733000)\*

\* Optional accessories