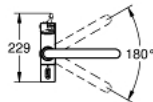
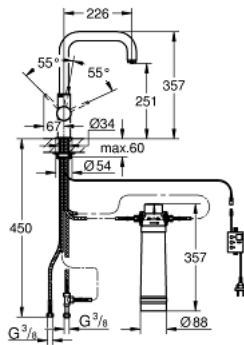


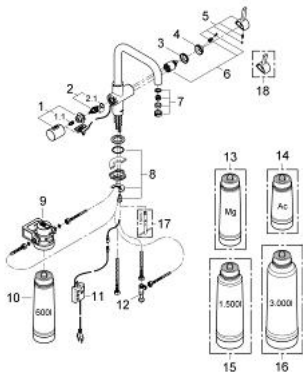
31 299 001 GROHE BLUE PURE STARTER KIT



PRODUCT DESCRIPTION

- Colour: chrome
- Consisting of:
 - GROHE Blue single-lever sink mixer with filter function
 - Single hole installation
 - U-spout
 - separate handle for filtered water
 - Headpart 1/2"
 - GROHE LongLife finish
 - GROHE SilkMove 35 mm ceramic cartridge
 - Adjustable flow rate limiter
 - swivel tubular spout
 - Swivel area 180°
 - separate inner water ways for filtered and non-filtered water
- Flexible connection hoses
- type of protection IP 21
- main switching power supply 100 - 240 V AC 50/60 Hz with safety extra-low voltage (SELV) 6 V DC to filter change display unit
- GROHE Blue size S filter, filter head with flexible adjustment

31 299 001 GROHE BLUE PURE STARTER KIT



SPARE PARTS, July 2013 – now

- 1: Handle (Spare part-nr. 46652000)
 - 1.1: Snap insert (Spare part-nr. 0538600M)
 - 2: Cartridge (Spare part-nr. 64368000)
 - 2.1: O-ring (18,2 x 1,7mm) (Spare part-nr. 0392400M)
 - 3: Screw coupling (Spare part-nr. 46460000)
 - 4: Cap (Spare part-nr. 46116000)
 - 5: Lever (Spare part-nr. 46653000)
 - 6: Cartridge (Spare part-nr. 46374000)
 - 7: Flow control (Spare part-nr. 64374000)
 - 8: Shank mounting kit (Spare part-nr. 46249000)
 - 9: Filter head (Spare part-nr. 64508001)
 - 10: Filter S-Size (Spare part-nr. 40404001)
 - 11: Control unit (Spare part-nr. 64510000)
 - 12: Original WAS[®] T-piece 3/8" (Spare part-nr. 41007000)
 - 13: **Magnesium+ filter** (Spare part-nr. 40691001)*
 - 14: Activated carbon filter
(Spare part-nr. 40547001)*
 - 15: **Filter M-Size** (Spare part-nr. 40430001)*
 - 16: **Filter L-Size**
(Spare part-nr. 40412001)*
 - 17: Mounting wrench (Spare part-nr. 19017000)*
 - 18: Shorter mixed water lever (Spare part-nr. 40621000)*
- * Optional accessories