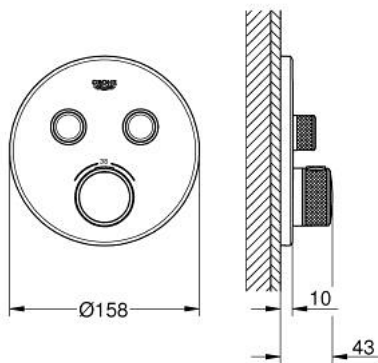


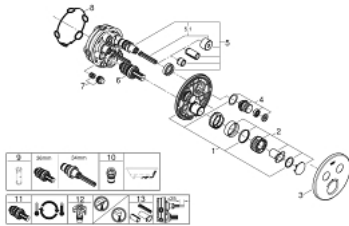
29 119 AL0 GROHTHERM SMARTCONTROL THERMOSTAT FOR CONCEALED INSTALLATION WITH 2 VALVES



PRODUCT DESCRIPTION

- Colour: Brushed hard graphite
- trim set for GROHE Rapido SmartBox (35 600/35 604)
- Metal wall escutcheon with GROHE FastFixation (covered escutcheon and shaft sealing, covered fixing), 6° angle adjustable
- GROHE LongLife finish
- GROHE SmartControl - control the shower with intuitive push/turn button
- Includes various icons to customize push buttons
- GROHE TurboStat - compact cartridge with wax thermoelement
- GROHE SafeStop - safety button at 38°C
- GROHE SafeStop Plus - optional temperature limiter at 43°C or 46°C included
- Built-in check valve with dirt strainer
- Multiple outlets can be run simultaneously
- without roughing-in set 35 600/35 604 (please order separately)
- flow performance: outlet B = 24 l/min outlet C = 26 l/min outlet B+C = 29 l/min

29 119 AL0 GROHTHERM SMARTCONTROL THERMOSTAT FOR CONCEALED INSTALLATION WITH 2 VALVES



SPARE PARTS, January 2020 – now

- 1: Mounting plate (Spare part-nr. 48363000)
 - 2: Temperature control handle (Spare part-nr. 49029AL0)
 - 3: Escutcheon (Spare part-nr. 49032AL0)
 - 4: Push button (Spare part-nr. 48361AL0)
 - 4.1: pushbutton (Spare part-nr. 14077000)
 - 5: Cartridge (Spare part-nr. 48359000)
 - 5.1: Spindle (Spare part-nr. 49088000)
 - 6: 3/4" Thermostatic compact cartridge (Spare part-nr. 49028000)
 - 7: Non-return valves (Spare part-nr. 47979000)
 - 8: Seal (Spare part-nr. 48360000)
 - 9: Socket Spanner (Spare part-nr. 49059000)*
 - 10: Backflow protection combination (EN1717) (Spare part-nr. 14055000)*
 - 11: 3/4" Reversed TurboStat Cartridge (Spare part-nr. 49003000)*
 - 12: Service Stops (Spare part-nr. 1405300M)*
 - 13: Universal extension set single-lever mixers, 25 mm (Spare part-nr. 14048000)*
- * Optional accessories