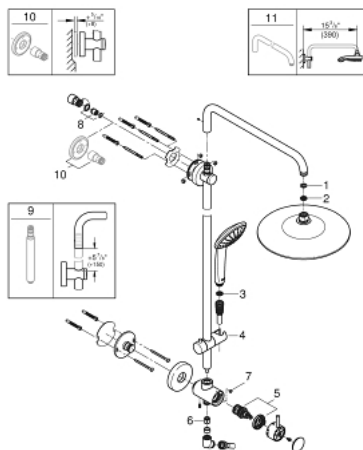


27 867 001 RETROFIT SYSTEM 260 SHOWER SYSTEM WITH DIVERTER FOR WALL MOUNTING



SPARE PARTS, October 2016 – now

- 1: Fibre seal dia. \varnothing 18,5 x \varnothing 12 x 2 (Spare part-nr. 0138900M)
 - 2: Dirt strainer (Spare part-nr. 48007000)
 - 3: Dirt strainer (Spare part-nr. 0700200M)
 - 4: Glide element (Spare part-nr. 12140000)
 - 5: 3-Way Diverter Valve & Trim (Spare part-nr. 48058000)
 - 6: Non-return valve (Spare part-nr. 08565000)
 - 7: Flow limiter (Spare part-nr. 48160000)
 - 8: non-return valves (Spare part-nr. 48183000)
 - 9: 6" Height Extension (Spare part-nr. 26464000)*
 - 10: Spacer (Spare part-nr. 26030000)*
 - 11: Shower arm for shower systems (Spare part-nr. 14047000)*
- * Optional accessories