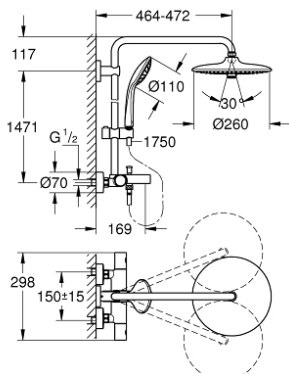
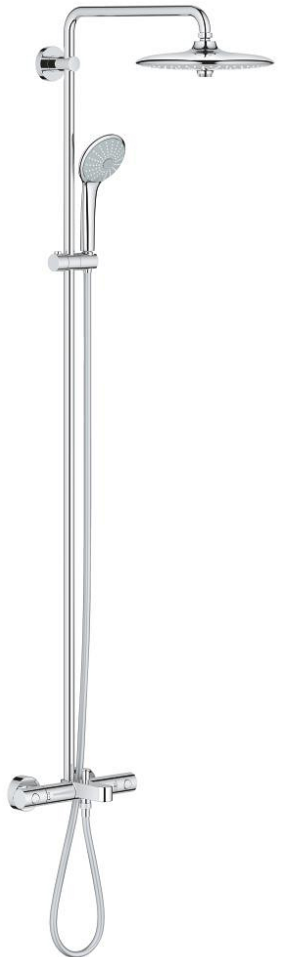


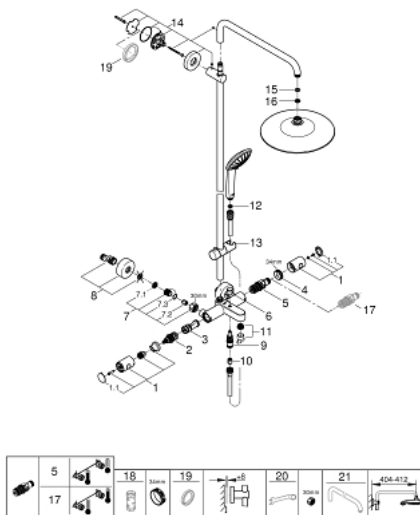
27 475 001 EUPHORIA SYSTEM 260 SHOWER SYSTEM WITH BATH THERMOSTAT FOR WALL MOUNTING



PRODUCT DESCRIPTION

- Colour: chrome
- Consisting of:
 - horizontal swivable 450 mm shower arm
 - exposed thermostat with Aquadimmer function
- Allows change between:
 - head shower Euphoria 260 (26 457)
 - spray patterns: Rain, SmartRain, Jet
 - maximum flow rate (at 3 bar): 18 l/min
- With ball joint
- Rotation angle $\pm 15^\circ$
- bath inlet
- separate diverter for hand shower
- hand shower Euphoria 110 Massage (27 239)
 - spray patterns: Rain, SmartRain, Massage
 - maximum flow rate (at 3 bar): 8.5 l/min
- adjustable in height with gliding element
- shower hose Silverflex 1750 mm 1/2" x 1/2" (28 388)
- GROHE TurboStat - compact cartridge with wax thermoelement
- GROHE SafeStop - safety button at 38°C
- GROHE SafeStop Plus - optional temperature limiter at 43°C included
- GROHE DreamSpray - perfect spray pattern
- GROHE LongLife finish
- GROHE SprayDimmer - stepless flow rate adjustment
- GROHE SpeedClean - effortless limescale removal
- Inner WaterGuide - inner insulation for surface protection
- TwistStop - to prevent hose from twisting
- Suitable for instantaneous heaters from 18 kW/h
- minimum flow rate 7 l/min

27 475 001 EUPHORIA SYSTEM 260 SHOWER SYSTEM WITH BATH THERMOSTAT FOR WALL MOUNTING



SPARE PARTS, October 2016 – March 2021

- 1: 1/2" Metal handle (Spare part-nr. 47984000)
- 1.1: Cover cap (Spare part-nr. 6458500M)
- 2: Aquadimmer (Spare part-nr. 47364000)
- 3: Water flow (Spare part-nr. 47887000)
- 4: Fitting ring (Spare part-nr. 47743000)
- 5: 1/2" Thermostatic compact cartridge (Spare part-nr. 47439000)
- 6: Diverter knob (Spare part-nr. 65648000)
- 7: Non-return valve (Spare part-nr. 47189000)
- 7.1: Dirt Strainer (Spare part-nr. 0726400M)
- 7.2: Non-return valve (Spare part-nr. 08565000)
- 7.3: O-ring (17 x 2mm) (Spare part-nr. 0305500M)
- 8: S-union (Spare part-nr. 12662000)
- 9: 3-Way Diverter Valve & Trim (Spare part-nr. 65655000)
- 10: Non-return valve (Spare part-nr. 08565000)
- 11: Flow control (Spare part-nr. 13926000)
- 12: Dirt strainer (Spare part-nr. 0700200M)
- 13: Glide element (Spare part-nr. 12140000)
- 14: Shower bar holder (Spare part-nr. 48279000)
- 15: Fibre seal dia. Ø 18,5 x Ø 12 x 2 (Spare part-nr. 0138900M)
- 16: Dirt strainer (Spare part-nr. 48007000)
- 17: GROHE TurboStat cartridge 1/2" (Spare part-nr. 47175000)*
- 18: Socket Spanner (Spare part-nr. 19332000)*
- 19: Spacer (Spare part-nr. 27180000)*
- 20: Special spanner wrench (Spare part-nr. 19377000)*
- 21: Shower arm for shower systems (Spare part-nr. 14047000)*

* Optional accessories