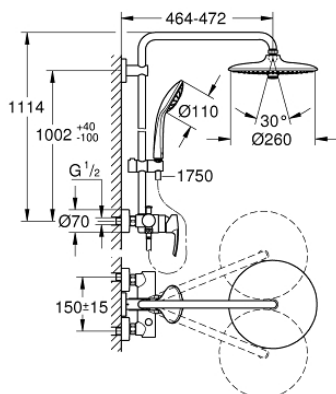


27 473 002 EUPHORIA SYSTEM 260 SHOWER SYSTEM WITH SINGLE LEVER MIXER FOR WALL MOUNTING

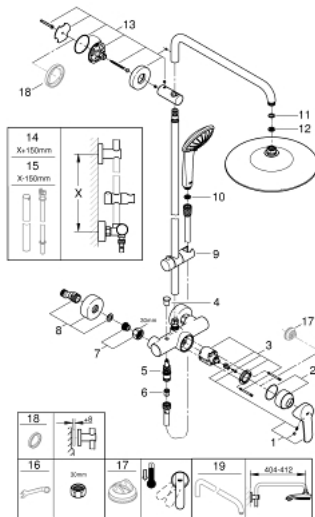


PRODUCT DESCRIPTION

- Colour: chrome
- Consisting of:
 - horizontal swivable 450 mm shower arm
 - exposed single-lever shower mixer with diverter
- Allows change between:
 - head shower Euphoria 260 (26 457)
 - spray patterns: Rain, SmartRain, Jet
 - maximum flow rate (at 3 bar): 7.5 l/min
- With ball joint
- Rotation angle $\pm 15^\circ$
- hand shower Euphoria 110 Massage (27 239)
- spray patterns: Rain, Massage, SmartRain
- maximum flow rate (at 3 bar): 8.5 l/min
- adjustable in height with gliding element
- shower hose Silverflex 1750 mm 1/2" x 1/2" (28 388)
- AquaCalibrator limits maximum flow rate of system (at 3 bar): 8.5 l/min
- GROHE EcoJoy - less water, perfect flow
- GROHE SilkMove 46 mm ceramic cartridge
- GROHE DreamSpray - perfect spray pattern
- GROHE LongLife finish
- GROHE EcoJoy - less water, perfect flow
- GROHE SprayDimmer - stepless flow rate adjustment
- Flexible Installation - 1 adjustable bracket for existing drill holes
- Inner WaterGuide - inner insulation for surface protection
- GROHE SpeedClean - effortless limescale removal
- TwistStop - to prevent hose from twisting
- Suitable for instantaneous heaters from 18 kW/h
- Minimum flow rate 5 l/min
- min. recommended pressure 1.0 bar
- professional edition



27 473 002 EUPHORIA SYSTEM 260 SHOWER SYSTEM WITH SINGLE LEVER MIXER FOR WALL MOUNTING



SPARE PARTS, January 2020 – now

- 1: Lever (Spare part-nr. 46726000)
 - 2: Cap (Spare part-nr. 46025000)
 - 3: Cartridge (Spare part-nr. 46048000)
 - 4: Diverter knob (Spare part-nr. 65648000)
 - 5: 3-Way Diverter Valve & Trim (Spare part-nr. 65655000)
 - 6: Non-return valve (Spare part-nr. 08565000)
 - 7: 1/2" screw connection (Spare part-nr. 45044000)
 - 8: S-union (Spare part-nr. 12662000)
 - 9: Glide element (Spare part-nr. 12140000)
 - 10: Dirt strainer (Spare part-nr. 0700200M)
 - 11: Fibre seal dia. Ø 18,5 x Ø 12 x 2 (Spare part-nr. 0138900M)
 - 12: Dirt strainer (Spare part-nr. 48007000)
 - 13: Shower bar holder (Spare part-nr. 48279000)
 - 14: **Shower system pipe for retrofitting** (Spare part-nr. 48514000)*
 - 15: **Shower system pipe for retrofitting** (Spare part-nr. 48515000)*
 - 16: Special spanner wrench (Spare part-nr. 19377000)*
 - 17: Temperature limiter (Spare part-nr. 46375000)*
 - 18: Spacer (Spare part-nr. 27180000)*
 - 19: Shower arm for shower systems (Spare part-nr. 14047000)*
- * Optional accessories