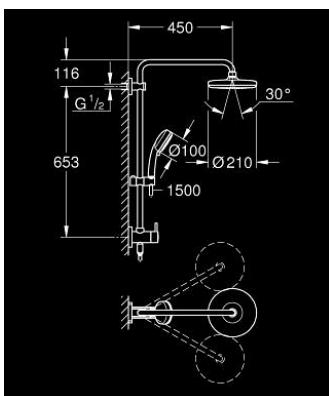


26 190 001 RETRO-FIT 210 SHOWER SYSTEM WITH DIVERTER FOR WALL MOUNTING

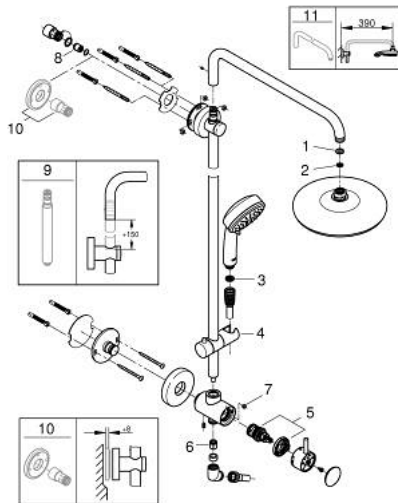


PRODUCT DESCRIPTION

- Colour: chrome
- Consisting of:
 - horizontal swivable 450 mm shower arm
 - built-in diverter allows change between:
 - Head shower Tempesta 210 (26 410)
 - Spray pattern: Rain
 - 9.5 l/min flow limiter
 - With ball joint
 - Rotation angle $\pm 15^\circ$
 - hand shower Tempesta Cosmopolitan 100 (27 571)
 - 2 spray patterns: Rain, Jet
 - 5.7 l/min flow limiter
 - adjustable in height with gliding element
 - Rotaflex shower hose 1500 mm 1/2" x 1/2" (28 409)
 - angle adapter
 - GROHE DreamSpray - perfect spray pattern
 - GROHE SprayDimmer - stepless flow rate adjustment
 - GROHE LongLife finish
 - GROHE SpeedClean - effortless limescale removal
 - Inner WaterGuide - inner insulation for surface protection
 - TwistStop - to prevent hose from twisting
- Suitable for instantaneous heaters from 18 kW/h
- min. recommended pressure 1.0 bar



26 190 001 RETRO-FIT 210 SHOWER SYSTEM WITH DIVERTER FOR WALL MOUNTING



SPARE PARTS, July 2016 – now

- 1: Fibre seal dia. Ø 18,5 x Ø 12 x 2 (Spare part-nr. 0138900M)
 - 2: Dirt strainer (Spare part-nr. 48007000)
 - 3: Dirt strainer (Spare part-nr. 0700200M)
 - 4: Glide element (Spare part-nr. 12140000)
 - 5: 3-Way Diverter Valve & Trim (Spare part-nr. 48058000)
 - 7: Flow limiter (Spare part-nr. 48160000)
 - 8: Non-return valve (Spare part-nr. 08565000)
 - 9: 6" Height Extension (Spare part-nr. 26464000)*
 - 10: Spacer (Spare part-nr. 26191000)*
 - 11: Shower arm for shower systems (Spare part-nr. 14047000)*
- * Optional accessories