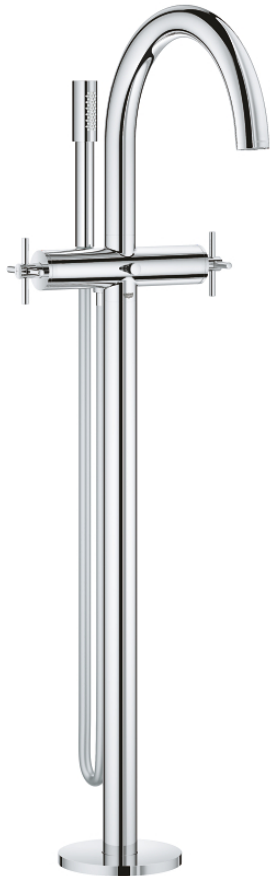
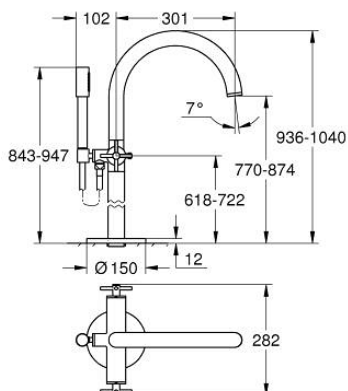


25 044 003 ATRIO BATH MIXER 1/2"

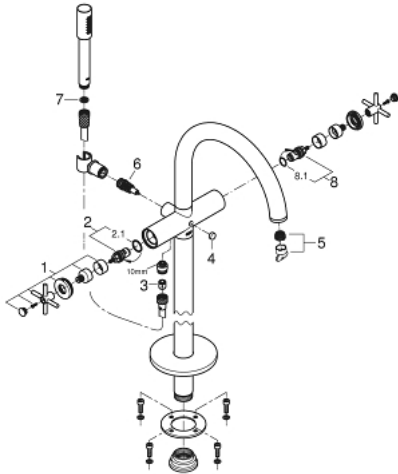


PRODUCT DESCRIPTION

- Colour: chrome
- for use with rough-in set 45 984 001
- Ceramic headparts 1/2", 90°
- GROHE LongLife finish
- Automatic diverter: bath/shower
- Spout with mousseur
- Projection 301 mm
- Integrated non-return valve in the shower outlet 1/2"
- hand shower Rainshower Aqua Stick (26 465)
- With shower holder
- Silverflex shower hose 1250 mm 1/2" x 1/2" (28 362)
- Protected against backflow
- with cross handles
- Two different sets of caps included. One set with "H" and "C" marking, one set without marking.



25 044 003 ATRIO BATH MIXER 1/2"



SPARE PARTS, October 2018 – now

- 1: Handles (pair) (Spare part-nr. 48406000)
- 2: Ceramic cartridge (Spare part-nr. 45883000)
- 2.1: O-ring (18,2 x 1,7mm) (Spare part-nr. 0392400M)
- 3: Non-return valve (Spare part-nr. 08565000)
- 4: Diverter knob (Spare part-nr. 64989000)
- 5: Flow control (Spare part-nr. 13926000)
- 6: 3-Way Diverter Valve & Trim (Spare part-nr. 48407000)
- 7: Dirt strainer (Spare part-nr. 0700200M)
- 8: Ceramic cartridge (Spare part-nr. 45882000)
- 8.1: O-ring (18,2 x 1,7mm) (Spare part-nr. 0392400M)