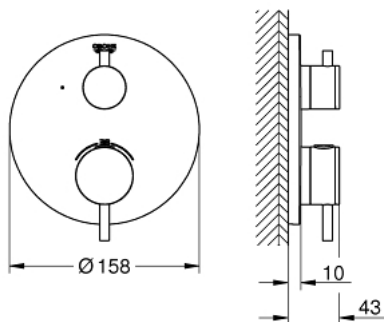


24 134 003 ATRIO THERMOSTATIC MIXER FOR 1 OUTLET WITH SHUT OFF VALVE

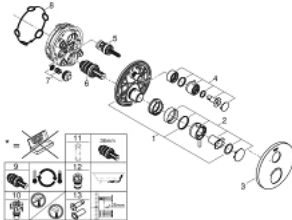


PRODUCT DESCRIPTION

- Colour: chrome
- trim set for GROHE Rapido SmartBox (35 600/35 604)
- GROHE TurboStat - compact cartridge with wax thermoelement
- GROHE LongLife finish
- Wall escutcheon with GROHE FastFixation (covered escutcheon and shaft sealing, covered fixing)
- Escudo de metal, retroactivamente 6° ajustable
- GROHE SafeStop - safety button at 38°C
- GROHE SafeStop Plus - optional temperature limiter at 43°C or 46°C included
- Built-in check valve with dirt strainer
- ceramic stop valve, 120°
- Metal handles
- flow performance: outlet B = 27 l/min outlet C = 30 l/min
- Requires Rough-In Set (29 038 001) (sold separately)



24 134 003 ATRIO THERMOSTATIC MIXER FOR 1 OUTLET WITH SHUT OFF VALVE



SPARE PARTS, January 2018 – now

- 1: Mounting plate (Spare part-nr. 49080000)
- 2: Temperature control handle (Spare part-nr. 49089000)
- 3: Escutcheon (Spare part-nr. 49073000)
- 4: Aquadimmer shut-off handle (Spare part-nr. 49090000)
- 5: Aquadimmer (Spare part-nr. 49084000)
- 6: 3/4" Thermostatic compact cartridge (Spare part-nr. 49028000)
- 7: Non-return valve (Spare part-nr. 49085000)
- 8: Seal (Spare part-nr. 48360000)
- 9: 3/4" Reversed TurboStat Cartridge (Spare part-nr. 49003000)*
- 10: **Service Stops** (Spare part-nr. 1405300M)*
- 11: Socket Spanner (Spare part-nr. 49059000)*
- 12: **Backflow protection combination (EN1717)** (Spare part-nr. 14055000)*
- 13: Universal extension set 2-handle thermostats, 25 mm (Spare part-nr. 14058000)*

* Optional accessories