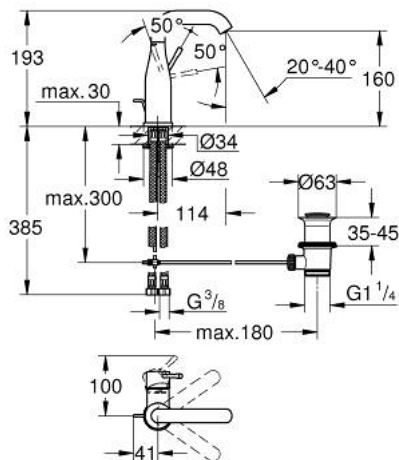


23 462 GL1 ESSENCE SINGLE-LEVER BASIN MIXER 1/2" M-SIZE



PRODUCT DESCRIPTION

- Colour: Cool sunrise
- Single hole installation
- Metal lever
- GROHE SilkMove 28 mm ceramic cartridge
- With temperature limiter
- GROHE LongLife finish
- GROHE EcoJoy mousseur 5.7 l/min
- GROHE AquaGuide adjustable mousseur
- GROHE FastFixation Plus installation system
- Swivel tubular spout with mousseur and stop limiter
- Pop-up waste set 1 1/4"
- Flexible connection hoses
- min. recommended pressure 1.0 bar



23 462 GL1 ESSENCE SINGLE-LEVER BASIN MIXER 1/2" M-SIZE



SPARE PARTS, February 2022 – now

- 1: Lever (Spare part-nr. 46919GL0)
 - 2: Cartridge (Spare part-nr. 46580000)
 - 3: screw ring (Spare part-nr. 48591000)
 - 4: Tubular spout (Spare part-nr. 13373GL0)
 - 4.1: Flow control (Spare part-nr. 48270000)
 - 4.2: Sealing washer (Spare part-nr. 0128500M)
 - 4.3: Safety ring (Spare part-nr. 4826600M)
 - 5: lift rod (Spare part-nr. 46739GL0)
 - 6: Escutcheon (Spare part-nr. 48603GL0)
 - 7: Shank mounting kit (Spare part-nr. 46645000)
 - 8: 1 1/4" waste set (Spare part-nr. 28910GL0)
 - 8.1: Plug (Spare part-nr. 07182GL0)
 - 8.2: Eccentric rod (Spare part-nr. 07052000)
 - 9: Connection hose (Spare part-nr. 46255000)
 - 10: Mounting wrench (Spare part-nr. 19017000)*
 - 11: Eccentric rod (Spare part-nr. 07341000)*
- * Optional accessories