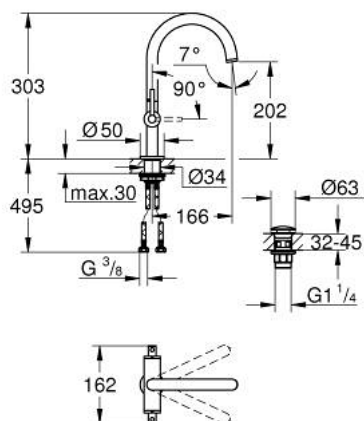


21 022 003 **ATRIO ONE-HOLE BASIN MIXER, 1/2"**  
**L-SIZE**

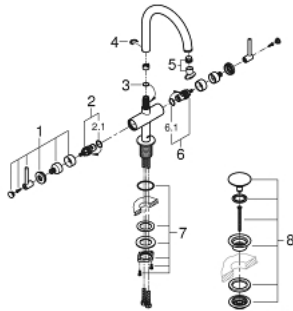


**PRODUCT DESCRIPTION**

- Colour: chrome
- Ceramic headparts 1/2", 90°
- 5.7 l/min laminar mousseur
- Rapid installation system
- Swivel tubular spout with mousseur and stop limiter
- push-open waste set 1 1/4"
- Flexible connection hoses
- with lever handles
- Two different sets of caps included. One set with "H" and "C" marking, one set without marking.



21 022 003 **ATRIO ONE-HOLE BASIN MIXER, 1/2"**  
**L-SIZE**



**SPARE PARTS**, April 2017 – now

- 1: Lever Handles (Spare part-nr. 18027003)
- 2: Ceramic cartridge (Spare part-nr. 45883000)
- 2.1: O-ring (18,2 x 1,7mm) (Spare part-nr. 0392400M)
- 3: Sealing washer (Spare part-nr. 0128500M)
- 4: Safety ring (Spare part-nr. 4826600M)
- 5: Flow straightener (Spare part-nr. 48408000)
- 6: Ceramic cartridge (Spare part-nr. 45882000)
- 6.1: O-ring (18,2 x 1,7mm) (Spare part-nr. 0392400M)
- 7: Shank mounting kit (Spare part-nr. 48384000)
- 8: Waste set with push-open plug (Spare part-nr. 65807000)