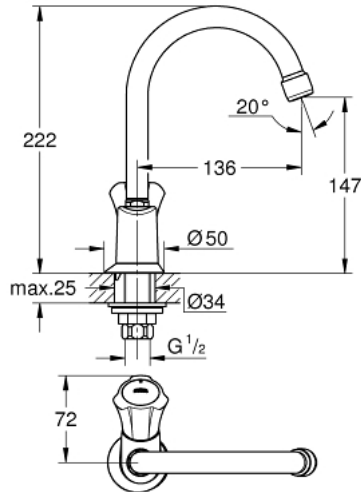


20 393 001 **COSTA L PILLAR TAP 1/2"**

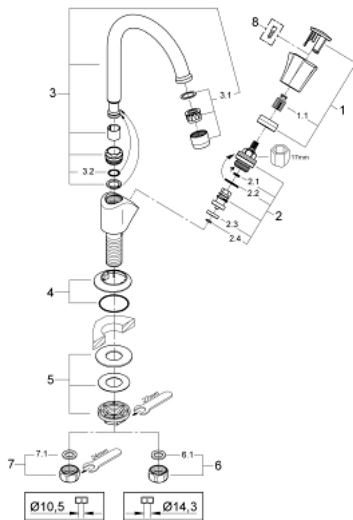


PRODUCT DESCRIPTION

- Colour: chrome
- Metal handle
- Heat-insulated
- Screwable
- marking: blue
- GROHE Long-Life headpart
- swivel tubular spout with mousseur
- Union nut 1/2" with 10.5 mm drilling
- GROHE LongLife finish



20 393 001 **COSTA L PILLAR TAP 1/2"**



SPARE PARTS, December 2007 – now

- 1: Handle (Spare part-nr. 45994000)
 - 1.1: Snap insert (Spare part-nr. 0538600M)
 - 2: 1/2" cartridge with lever handle (Spare part-nr. 07146000)
 - 2.1: O-ring (6 x 2mm) (Spare part-nr. 0128300M)
 - 2.2: O-ring (18,2 x 1,7mm) (Spare part-nr. 0392400M)
 - 2.3: Seal (Spare part-nr. 0529100M)
 - 3: Spout (Spare part-nr. 13219000)
 - 3.1: Flow control (Spare part-nr. 13928000)
 - 3.2: O-ring (12 x 2mm) (Spare part-nr. 0128000M)
 - 4: Escutcheon (Spare part-nr. 45996000)
 - 5: Shank mounting kit (Spare part-nr. 45004000)
 - 6: Coupling nut (1/2" x 14.5mm) (Spare part-nr. 1290200M)
 - 6.1: Fibre seal dia. Ø 18,5 x Ø 12 x 2 (Spare part-nr. 0138900M)
 - 7: Coupling nut (1/2") (Spare part-nr. 1290100M)
 - 7.1: Fibre seal dia. Ø 18,5 x Ø 12 x 2 (Spare part-nr. 0138900M)
 - 8: Screw for Costa/Avina products (Spare part-nr. 48013000)*
- * Optional accessories