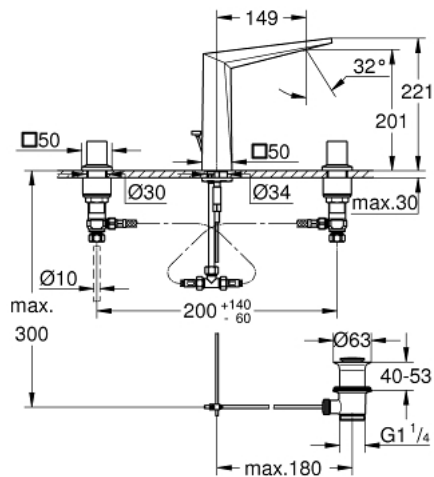


20 344 000 ALLURE BRILLIANT THREE-HOLE BASIN MIXER 1/2" M-SIZE

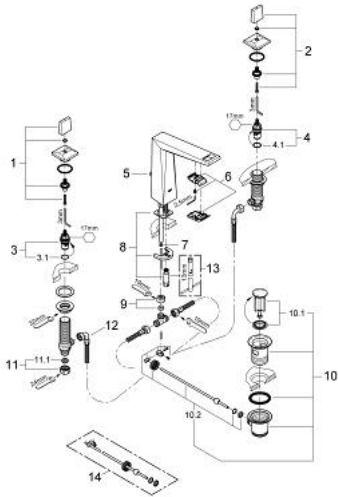


PRODUCT DESCRIPTION

- Colour: chrome
- Ceramic headparts 1/2", 90°
- GROHE LongLife finish
- 5.0 l/min flow limiter
- spout with integrated mousseur
- Pop-up waste set 1 1/4"
- Pressure-proof, flexible connection hoses between spout and side valves
- min. recommended pressure 1.0 bar



20 344 000 ALLURE BRILLIANT THREE-HOLE BASIN MIXER 1/2" M-SIZE



SPARE PARTS, August 2010 – now

- 1: Allure Brilliant handle red (Spare part-nr. 48129000)
- 2: Allure Brilliant handle blue (Spare part-nr. 48130000)
- 3: Ceramic cartridge (Spare part-nr. 45882000)
- 3.1: O-ring (18,2 x 1,7mm) (Spare part-nr. 0392400M)
- 4: Ceramic cartridge (Spare part-nr. 45883000)
- 4.1: O-ring (18,2 x 1,7mm) (Spare part-nr. 0392400M)
- 5: Pop-up rod (Spare part-nr. 46787000)
- 6: Race (Spare part-nr. 46794000)
- 7: Flow limiter (Spare part-nr. 48160000)
- 8: Shank mounting kit (Spare part-nr. 46671000)
- 9: Compression union (3/8") (Spare part-nr. 12914000)
- 10: 1 1/4" waste set (Spare part-nr. 28910000)
- 10.1: Plug (Spare part-nr. 07182000)
- 10.2: Eccentric rod (Spare part-nr. 07052000)
- 11: Coupling nut (1/2") (Spare part-nr. 1290100M)
- 11.1: Fibre seal dia. Ø 18,5 x Ø 12 x 2 (Spare part-nr. 0138900M)
- 12: Flexible connection hose (Spare part-nr. 45704000)
- 13: Mounting wrench (Spare part-nr. 19017000)*
- 14: Eccentric rod (Spare part-nr. 07341000)*

* Optional accessories