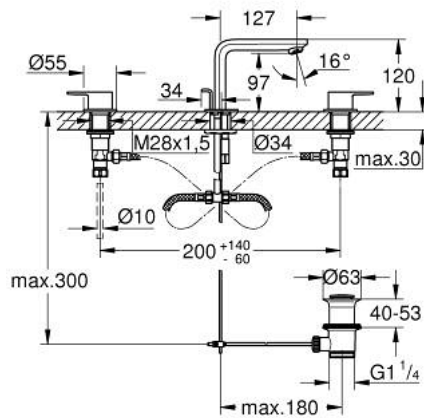


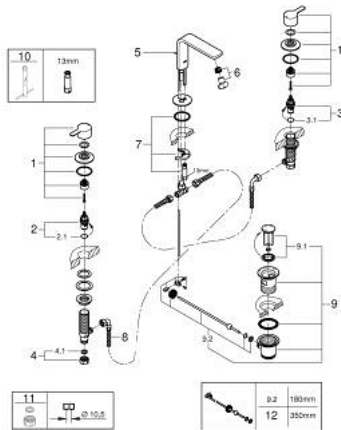
20 304 001 LINEARE THREE-HOLE BASIN MIXER 1/2" M-SIZE



PRODUCT DESCRIPTION

- Colour: chrome
- Metal lever
- Ceramic headparts 1/2", 90°
- GROHE LongLife finish
- GROHE EcoJoy - less water, perfect flow
- maximum flow rate (at 3 bar): 5 l/min
- GROHE FastFixation rapid installation system
- Pop-up waste set 1 1/4"
- Pressure-proof, flexible connection hoses between spout and side valves
- min. recommended pressure 1.0 bar
- Union nut 1/2" x 10.5 mm

20 304 001 LINEARE THREE-HOLE BASIN MIXER 1/2"
M-SIZE



SPARE PARTS, July 2016 – now

- 1: Handle pair (Spare part-nr. 48357000)
- 2: Ceramic cartridge (Spare part-nr. 45882000)
- 2.1: O-ring (18,2 x 1,7mm) (Spare part-nr. 0392400M)
- 3: Ceramic cartridge (Spare part-nr. 45883000)
- 3.1: O-ring (18,2 x 1,7mm) (Spare part-nr. 0392400M)
- 4: Coupling nut (1/2" x 14.5mm) (Spare part-nr. 1290200M)
- 4.1: Fibre seal dia. Ø 18,5 x Ø 12 x 2 (Spare part-nr. 0138900M)
- 5: Pop-up rod (Spare part-nr. 65196000)
- 6: Flow control (Spare part-nr. 13994000)
- 7: Shank mounting kit (Spare part-nr. 46671000)
- 8: Flexible connection hose (Spare part-nr. 45704000)
- 9: 1 1/4" waste set (Spare part-nr. 28910000)
- 9.1: Plug (Spare part-nr. 07182000)
- 9.2: Eccentric rod (Spare part-nr. 07052000)
- 10: Mounting wrench (Spare part-nr. 19017000)*
- 11: Coupling nut (1/2") (Spare part-nr. 1290100M)*
- 12: Eccentric rod (Spare part-nr. 07341000)*

* Optional accessories