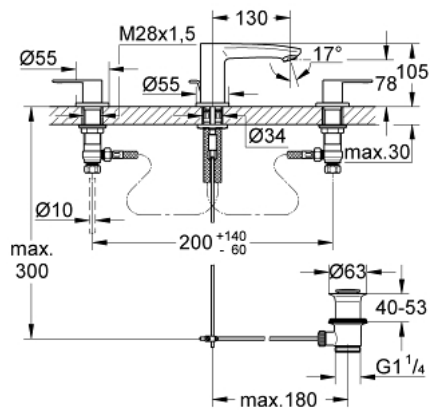


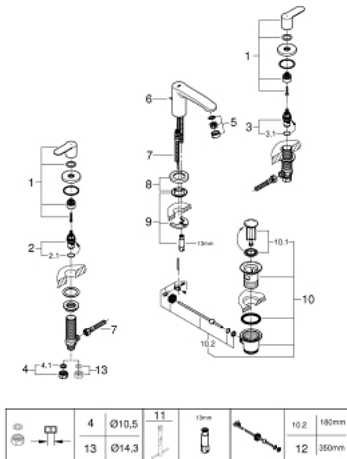
## 20 208 002 EUROSTYLE COSMOPOLITAN THREE-HOLE BASIN MIXER S-SIZE



### PRODUCT DESCRIPTION

- Colour: chrome
- Metal lever
- Ceramic headparts  $1/2"$ ,  $90^\circ$
- GROHE LongLife finish
- GROHE FastFixation installation system with centering support
- Spout with mousseur
- Pop-up waste set  $1 \frac{1}{4}"$
- Pressure-proof, flexible connection hoses
- pressure-proof, flexible connection hoses between middle-body and side valves
- Union nut with 10.5-mm drilling

## 20 208 002 EUROSTYLE COSMOPOLITAN THREE-HOLE BASIN MIXER S-SIZE



### SPARE PARTS, November 2021 – now

- 1: Handle pair (Spare part-nr. 48309000)
- 2: Ceramic cartridge (Spare part-nr. 45882000)
- 2.1: O-ring (18,2 x 1,7mm) (Spare part-nr. 0392400M)
- 3: Ceramic cartridge (Spare part-nr. 45883000)
- 3.1: O-ring (18,2 x 1,7mm) (Spare part-nr. 0392400M)
- 4: Coupling nut (1/2") (Spare part-nr. 1290100M)
- 4.1: Fibre seal dia. Ø 18,5 x Ø 12 x 2 (Spare part-nr. 0138900M)
- 5: Flow control (Spare part-nr. 13929000)
- 6: Pop-up rod (Spare part-nr. 46739000)
- 7: Connection hose (Spare part-nr. 46255000)
- 8: Base plate (Spare part-nr. 48165000)
- 9: Shank mounting kit (Spare part-nr. 46671000)
- 10: 1 1/4" waste set (Spare part-nr. 28910000)
- 10.1: Plug (Spare part-nr. 07182000)
- 10.2: Eccentric rod (Spare part-nr. 07052000)
- 11: Mounting wrench (Spare part-nr. 19017000)\*
- 12: Eccentric rod (Spare part-nr. 07341000)\*
- 13: Coupling nut (1/2" x 14.5mm) (Spare part-nr. 1290200M)\*

\* Optional accessories