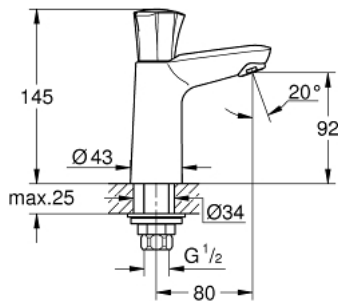


20 186 001 **COSTA L PILLAR TAP 1/2"**

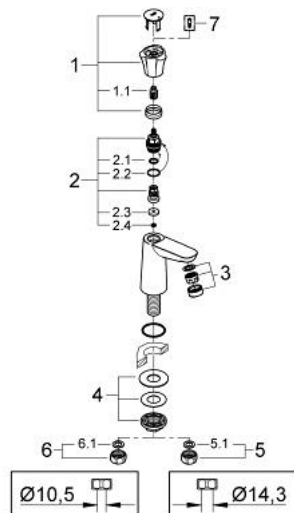


**PRODUCT DESCRIPTION**

- Colour: chrome
- Metal handle
- Heat-insulated
- Screwable
- marking: blue
- GROHE Long-Life headpart
- Cast spout with mousseur
- Union nut 1/2" with 10.5 mm drilling
- GROHE LongLife finish



20 186 001 **COSTA L PILLAR TAP 1/2"**



**SPARE PARTS**, August 2009 – now

- 1: Handle (Spare part-nr. 45994000)
- 1.1: Snap insert (Spare part-nr. 0538600M)
- 2: 1/2" cartridge with lever handle (Spare part-nr. 07146000)
- 2.1: O-ring (6 x 2mm) (Spare part-nr. 0128300M)
- 2.2: O-ring (18,2 x 1,7mm) (Spare part-nr. 0392400M)
- 2.3: Seal (Spare part-nr. 0529100M)
- 3: Flow control (Spare part-nr. 13929000)
- 4: Shank mounting kit (Spare part-nr. 45004000)
- 5: Coupling nut (1/2" x 14.5mm) (Spare part-nr. 1290200M)
- 5.1: Fibre seal dia. Ø 18,5 x Ø 12 x 2 (Spare part-nr. 0138900M)
- 6: Coupling nut (1/2") (Spare part-nr. 1290100M)
- 6.1: Fibre seal dia. Ø 18,5 x Ø 12 x 2 (Spare part-nr. 0138900M)
- 7: Screw for Costa/Avina products (Spare part-nr. 48013000)\*

\* Optional accessories