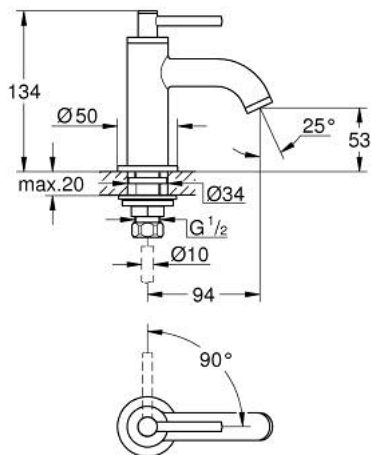


20 021 AL3 **ATRIO PILLAR TAP 1/2"**
XS-SIZE

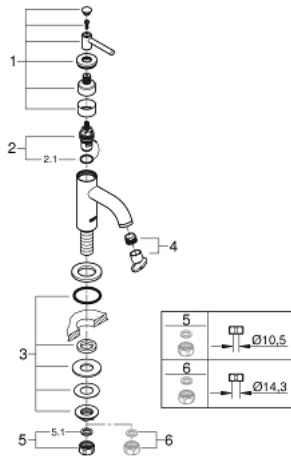


PRODUCT DESCRIPTION

- Colour: Brushed hard graphite
- Headpart 1/2" - 90°
- GROHE LongLife finish
- GROHE EcoJoy 5.7 l/min laminar mousseur
- Rapid installation system
- mousseur
- fixed spout
- with lever handle



20 021 AL3 ATRIO PILLAR TAP 1/2" XS-SIZE



SPARE PARTS, April 2017 – now

- 1: Lever Handles (Spare part-nr. 18027AL3)
- 2: Ceramic cartridge (Spare part-nr. 45882000)
- 2.1: O-ring (18,2 x 1,7mm) (Spare part-nr. 0392400M)
- 3: Shank mounting kit (Spare part-nr. 45004000)
- 4: Flow straightener (Spare part-nr. 48408000)
- 5: Coupling nut (1/2") (Spare part-nr. 1290100M)
- 5.1: Fibre seal dia. Ø 18,5 x Ø 12 x 2 (Spare part-nr. 0138900M)
- 6: Coupling nut (1/2" x 14.5mm) (Spare part-nr. 1290200M)*

* Optional accessories