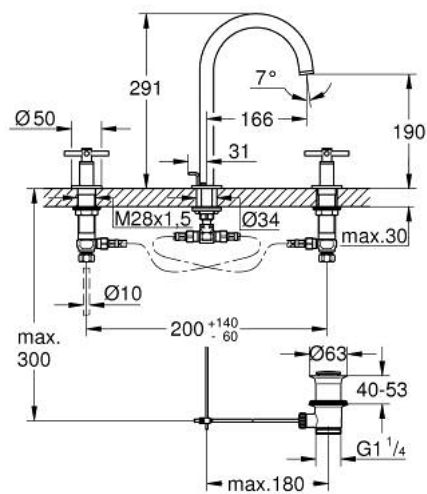


20 008 003 ATRIO THREE-HOLE BASIN MIXER 1/2" M-SIZE

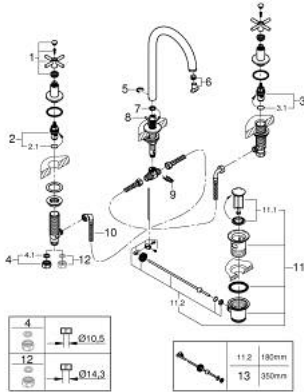


PRODUCT DESCRIPTION

- Colour: chrome
- Ceramic headparts 1/2", 90°
- GROHE LongLife finish
- 5.7 l/min laminar mousseur
- Swivel tubular spout with mousseur and stop limiter
- Pop-up waste set 1 1/4"
- Pressure-proof, flexible connection hoses between spout and side valves
- with cross handles
- Two different sets of caps included. One set with "H" and "C" marking, one set without marking.



20 008 003 **ATRIO THREE-HOLE BASIN MIXER 1/2"**
M-SIZE



SPARE PARTS, April 2017 – now

- 1: Cross Handles (Spare part-nr. 18026003)
 - 2: Ceramic cartridge (Spare part-nr. 45882000)
 - 2.1: O-ring (18,2 x 1,7mm) (Spare part-nr. 0392400M)
 - 3: Ceramic cartridge (Spare part-nr. 45883000)
 - 3.1: O-ring (18,2 x 1,7mm) (Spare part-nr. 0392400M)
 - 4: Coupling nut (1/2") (Spare part-nr. 1290100M)*
 - 5: Safety ring (Spare part-nr. 4826600M)
 - 6: Flow straightener (Spare part-nr. 48408000)
 - 7: Sealing washer (Spare part-nr. 0128500M)
 - 8: Pop-up rod (Spare part-nr. 65196000)
 - 9: Fixing clamp (Spare part-nr. 6554100M)
 - 10: Flexible connection hose (Spare part-nr. 45704000)
 - 11: 1 1/4" waste set (Spare part-nr. 28910000)
 - 11.1: Plug (Spare part-nr. 07182000)
 - 11.2: Eccentric rod (Spare part-nr. 07052000)
 - 12: Coupling nut (1/2" x 14.5mm) (Spare part-nr. 1290200M)*
 - 13: Eccentric rod (Spare part-nr. 07341000)*
- * Optional accessories